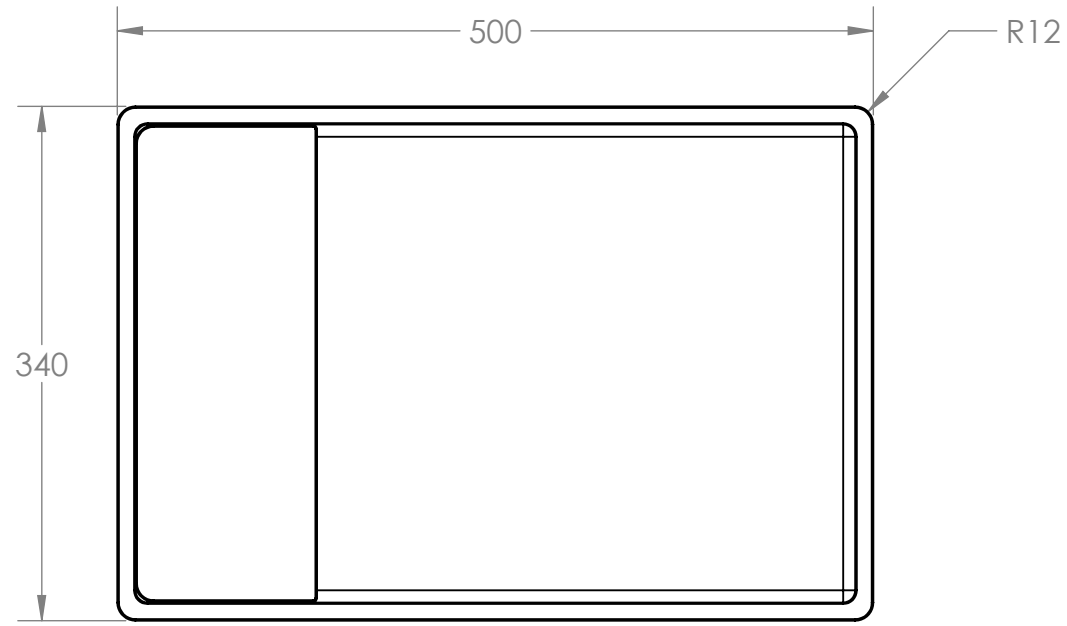
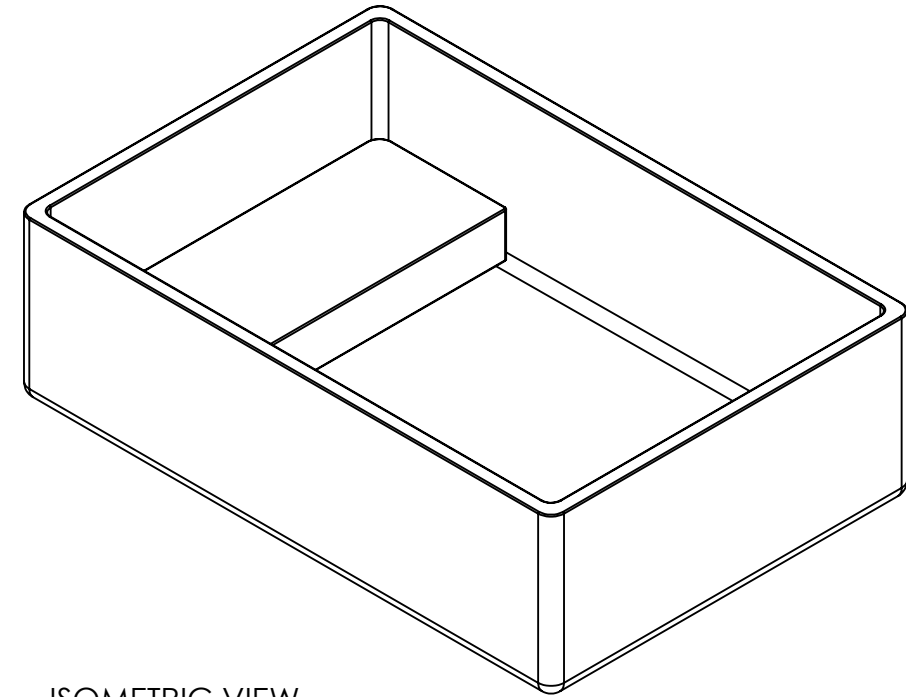


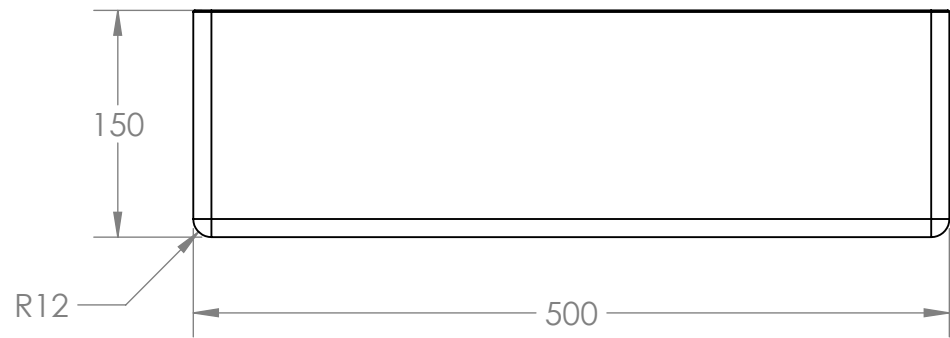
BASIN ASSEMBLY DETAIL



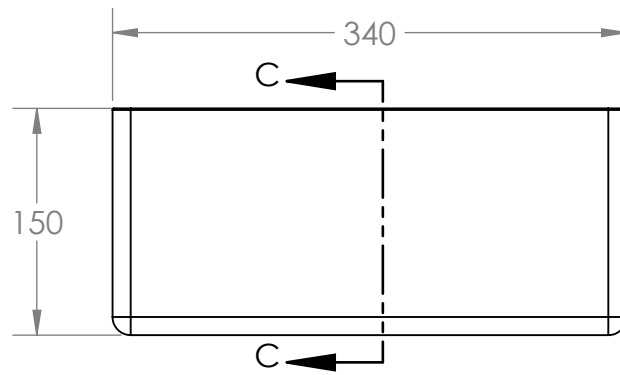
TOP ELEVATION



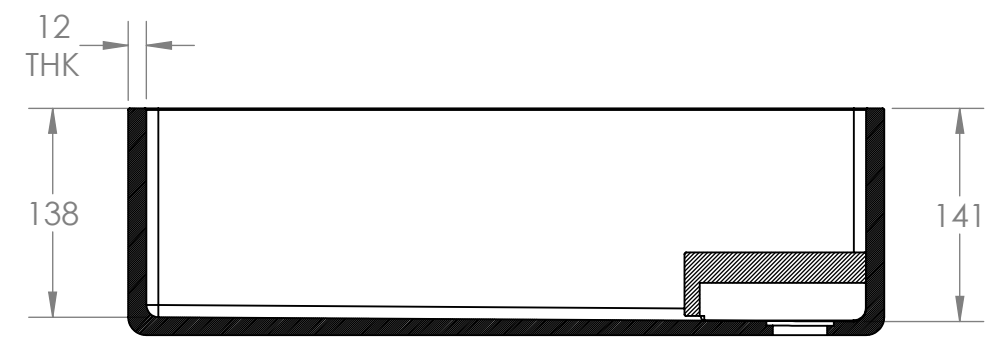
ISOMETRIC VIEW



SIDE ELEVATION



FRONT ELEVATION

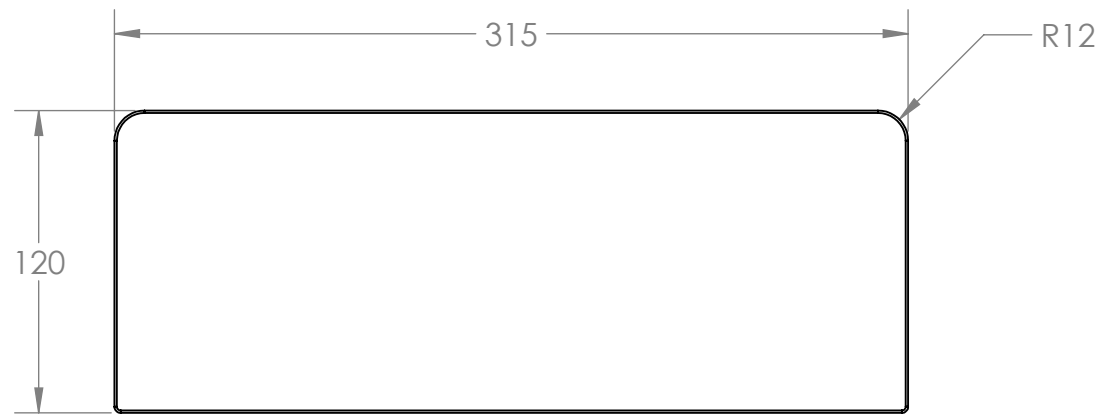


SECTION C-C

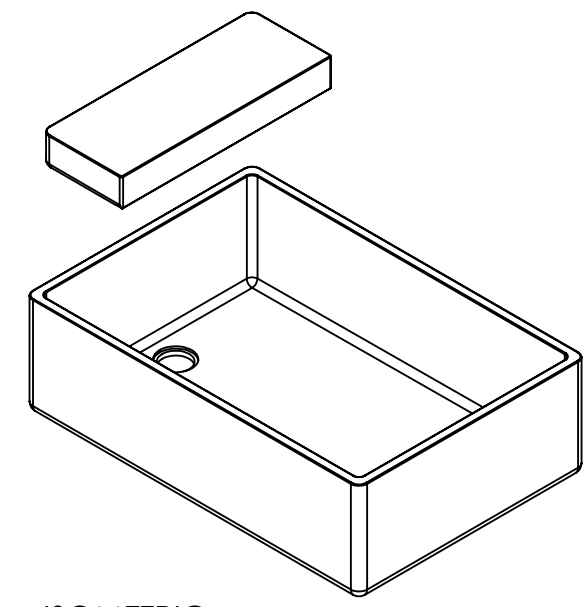


UNLESS OTHERWISE SPECIFIED: DIMENSIONS ARE IN MILLIMETERS SURFACE FINISH: TOLERANCES: LINEAR: ANGULAR:			FINISH:		DEBURR AND BREAK SHARP EDGES		DO NOT SCALE DRAWING		REVISION		
DRAWN			NAME		SIGNATURE		DATE		TITLE:		
CHK'D											
APPV'D											
MFG											
Q.A							MATERIAL:		DWG NO.		
									SPILLWAY BASIN		
							WEIGHT:		SCALE:1:5		
									SHEET 1 OF 2		
									A3		

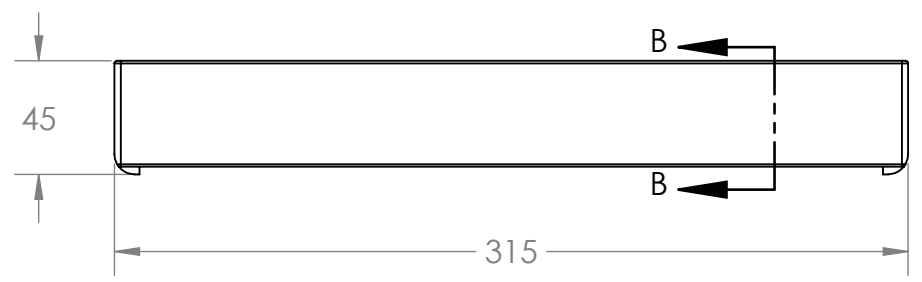
INSERT DETAIL



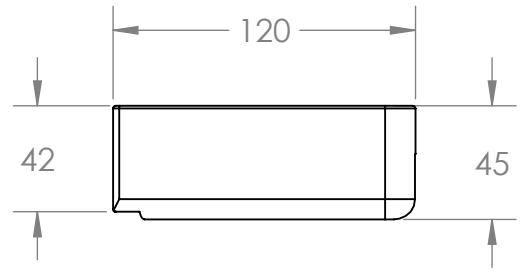
TOP ELEVATION



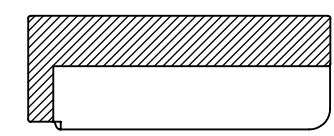
ISOMETRIC EXPLODED VIEW



FRONT ELEVATION



SIDE ELEVATION



SECTION B-B  
SCALE 1 : 3



UNLESS OTHERWISE SPECIFIED: DIMENSIONS ARE IN MILLIMETERS SURFACE FINISH: TOLERANCES: LINEAR: ANGULAR:			FINISH:		DEBURR AND BREAK SHARP EDGES		DO NOT SCALE DRAWING		REVISION		
DRAWN			NAME		SIGNATURE		DATE		TITLE:		
CHK'D											
APPV'D											
MFG											
Q.A							MATERIAL:		DWG NO.		
									SPILLWAY BASIN		
							WEIGHT:		SCALE:1:5		
									SHEET 2 OF 2		
									A3		