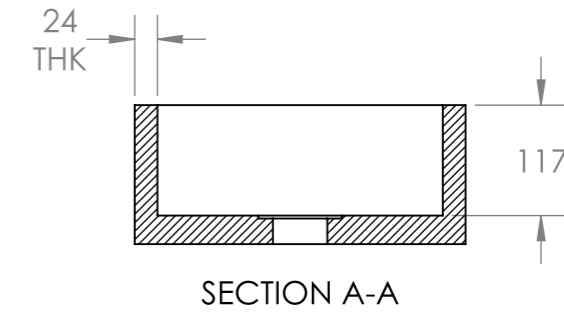
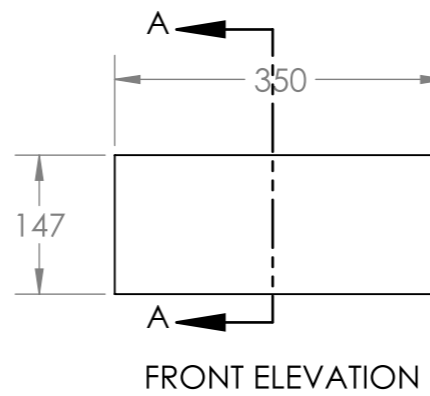
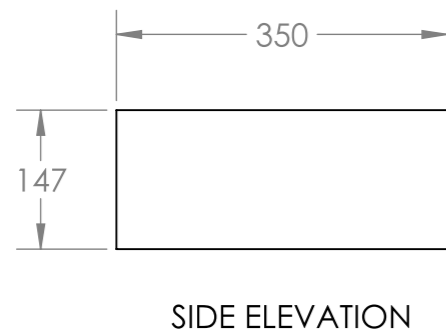
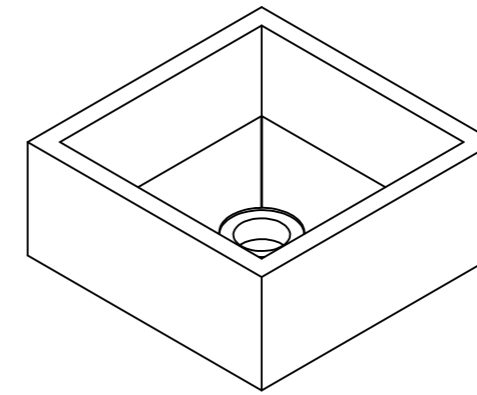
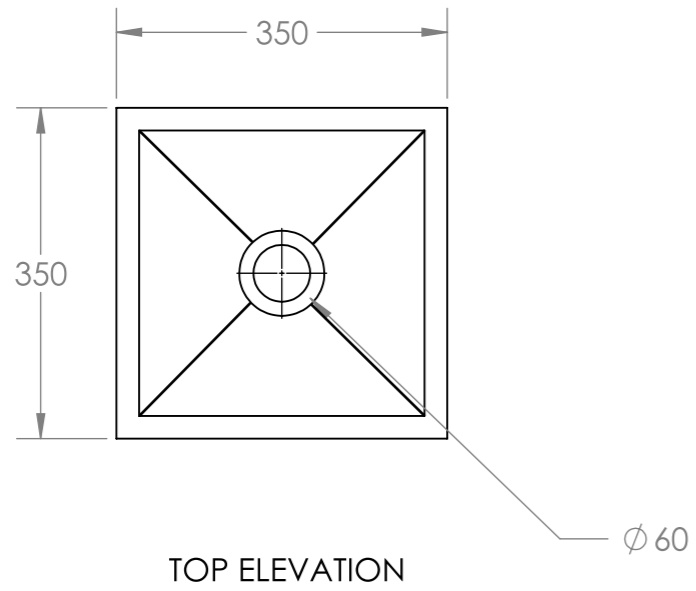


8 7 6 5 4 3 2 1



THE  
**Poured**  
PROJECT

UNLESS OTHERWISE SPECIFIED: DIMENSIONS ARE IN MILLIMETERS SURFACE FINISH: TOLERANCES: LINEAR: ANGULAR:			FINISH:		DEBURR AND BREAK SHARP EDGES		DO NOT SCALE DRAWING		REVISION		
							TITLE:				
							DWG NO. <b>MINI CUBE BASIN</b>				
							SCALE:1:8		SHEET 1 OF 1		
							A3				
							MATERIAL:				
							WEIGHT:				
							DRAWN				
							CHK'D				
							APPV'D				
							MFG				
							Q.A				
							NAME				
							SIGNATURE				
							DATE				

8 7 6 5 4 3 2 1

F  
E  
D  
C  
B  
A

F  
E  
D  
C  
B  
A