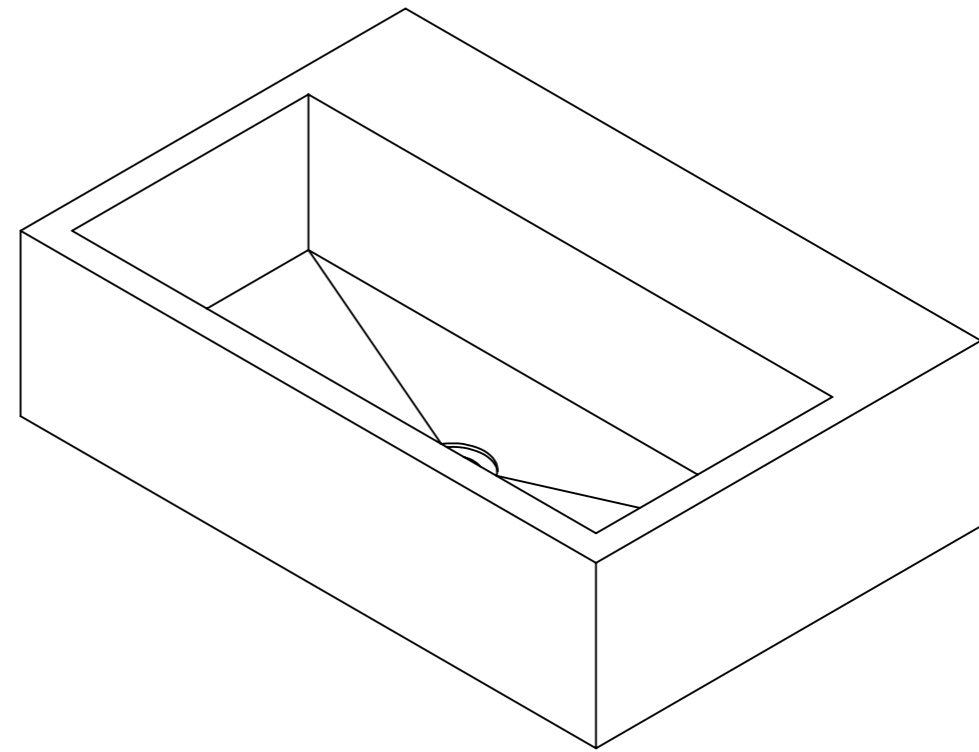
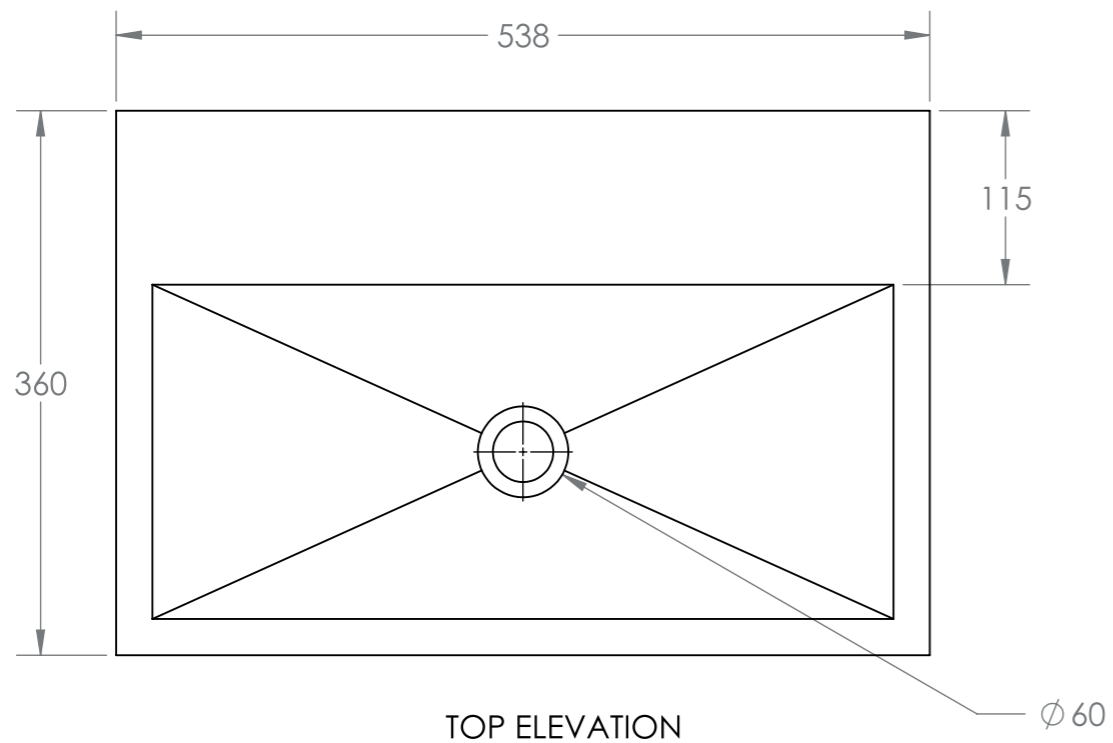


8 7 6 5 4 3 2 1

F

F

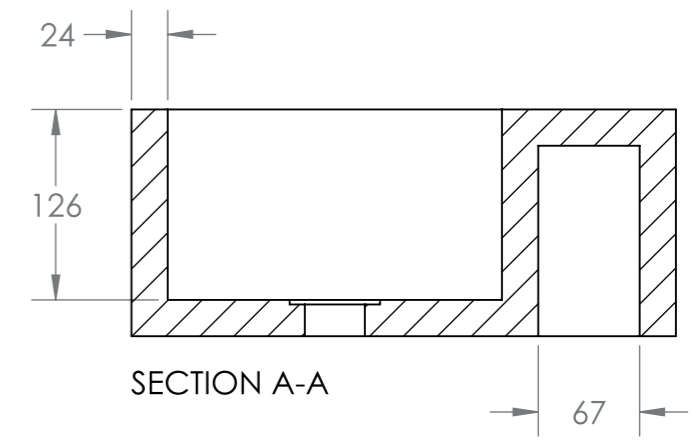
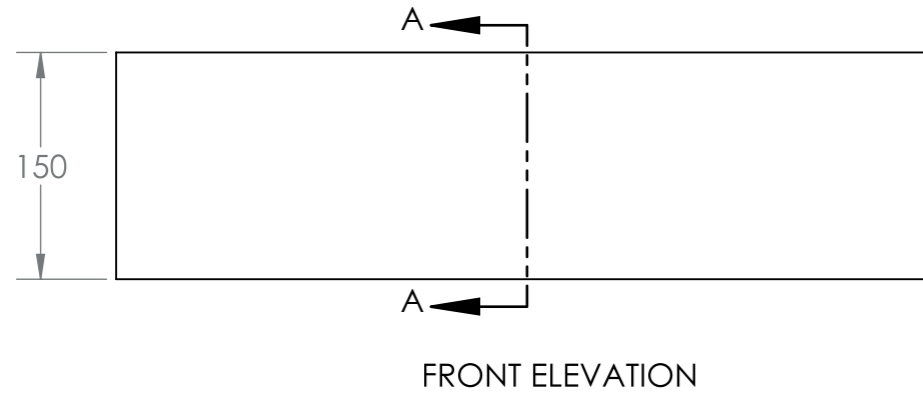


E

E

D

D



C

C

B

B

THE
Poured
PROJECT

| | | | | | | | | | | | |
|---|--|--|---------|--|------------------------------------|--|----------------------|--|--------------------|--|--|
| UNLESS OTHERWISE SPECIFIED: DIMENSIONS ARE IN MILLIMETERS SURFACE FINISH: TOLERANCES: LINEAR: ANGULAR: | | | FINISH: | | DEBURR AND BREAK SHARP EDGES | | DO NOT SCALE DRAWING | | REVISION | | |
| DRAWN | | | NAME | | SIGNATURE | | DATE | | TITLE: | | |
| CHK'D | | | | | | | | | | | |
| APPV'D | | | | | | | | | | | |
| MFG | | | | | | | | | | | |
| Q.A | | | | | | | MATERIAL: | | DWG NO. | | |
| | | | | | | | | | LEDGE BASIN | | |
| | | | | | | | WEIGHT: | | SCALE:1:5 | | |
| | | | | | | | | | SHEET 1 OF 4 | | |
| | | | | | | | | | A3 | | |

A

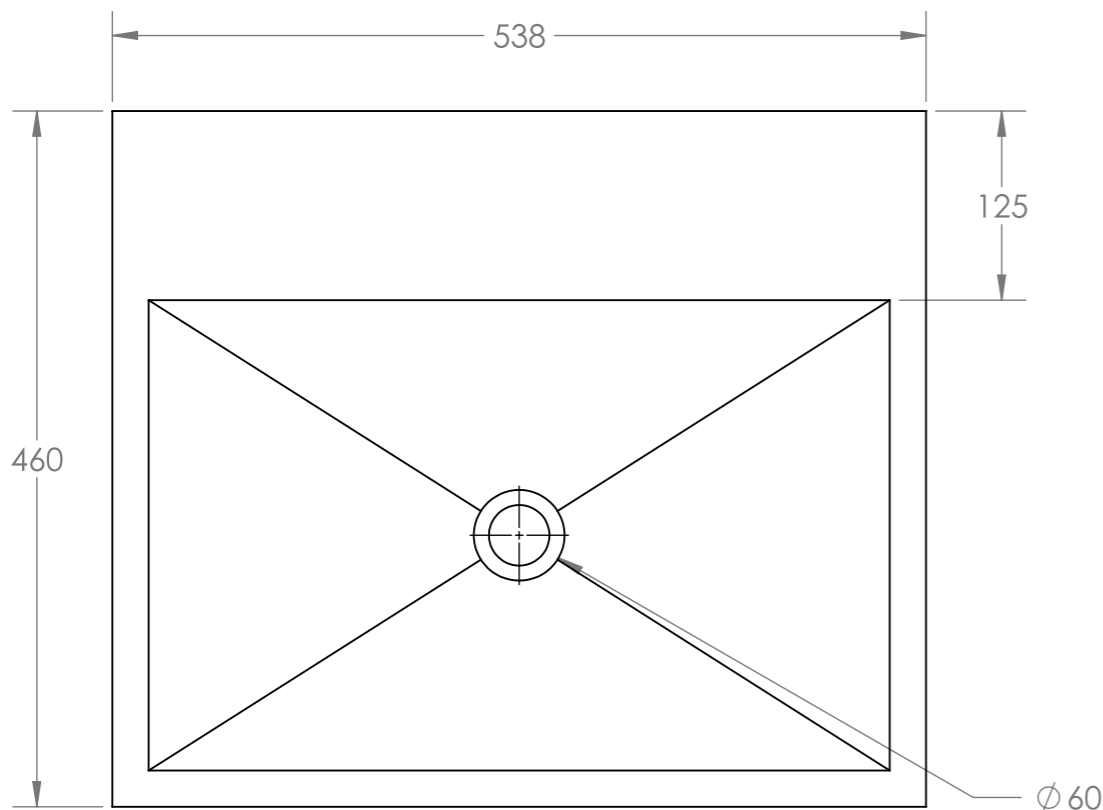
A

8 7 6 5 4 3 2 1

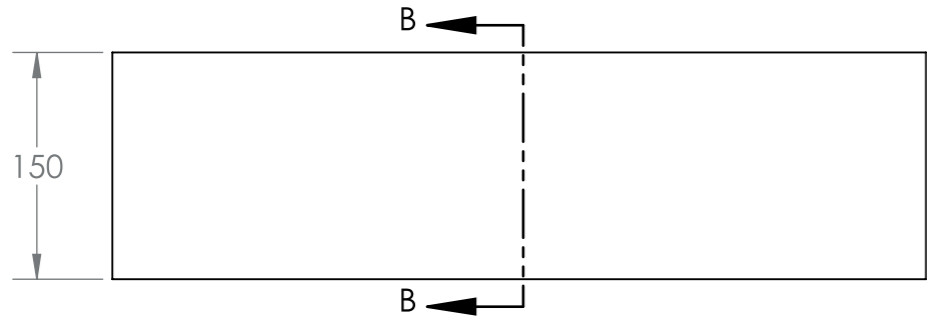
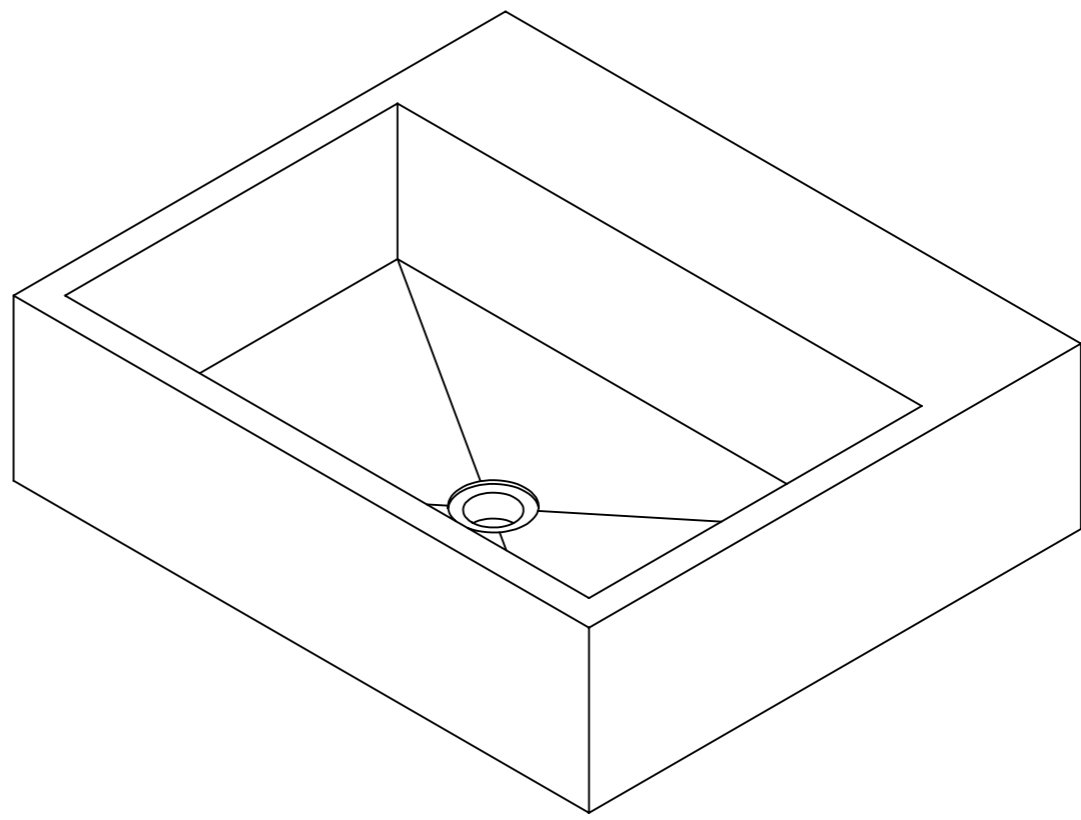
8 7 6 5 4 3 2 1

F
E
D
C
B
A

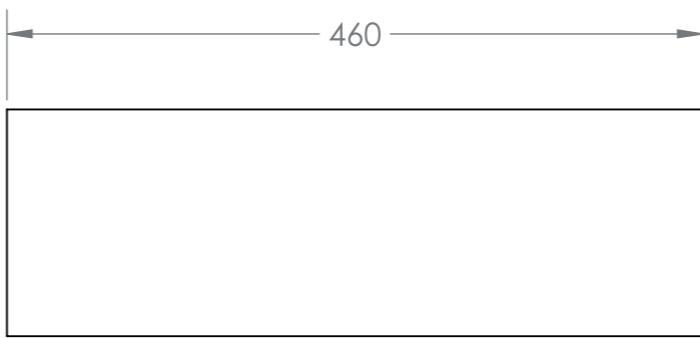
F
E
D
C
B
A



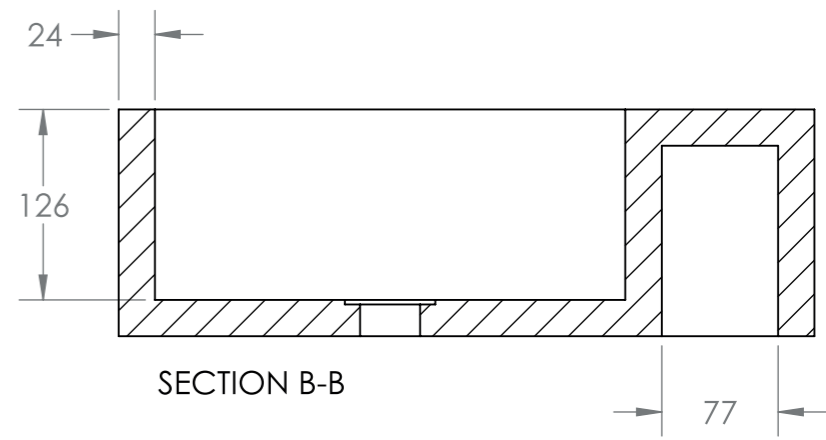
TOP ELEVATION



FRONT ELEVATION



SIDE ELEVATION



SECTION B-B



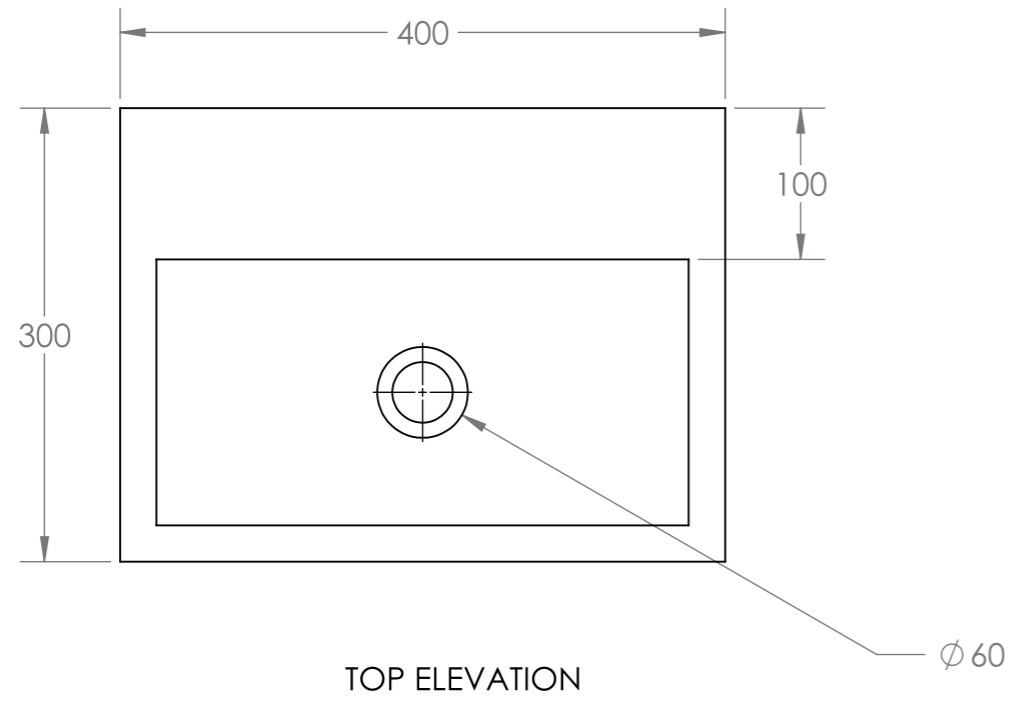
| | | | | | | | | | | |
|--|------|-----------|---------|--|------------------------------|--|----------------------|--|--------------|--|
| UNLESS OTHERWISE SPECIFIED: DIMENSIONS ARE IN MILLIMETERS | | | FINISH: | | DEBURR AND BREAK SHARP EDGES | | DO NOT SCALE DRAWING | | REVISION | |
| SURFACE FINISH: | | | | | | | | | | |
| TOLERANCES: | | | | | | | | | | |
| LINEAR: | | | | | | | | | | |
| ANGULAR: | | | | | | | | | | |
| | NAME | SIGNATURE | DATE | | | | TITLE: | | | |
| DRAWN | | | | | | | | | | |
| CHK'D | | | | | | | | | | |
| APPV'D | | | | | | | | | | |
| MFG | | | | | | | | | | |
| Q.A | | | | | MATERIAL: | | DWG NO. | | A3 | |
| | | | | | | | LEDGE BASIN | | | |
| | | | | | WEIGHT: | | SCALE:1:5 | | SHEET 2 OF 4 | |

8 7 6 5 4 3 2 1

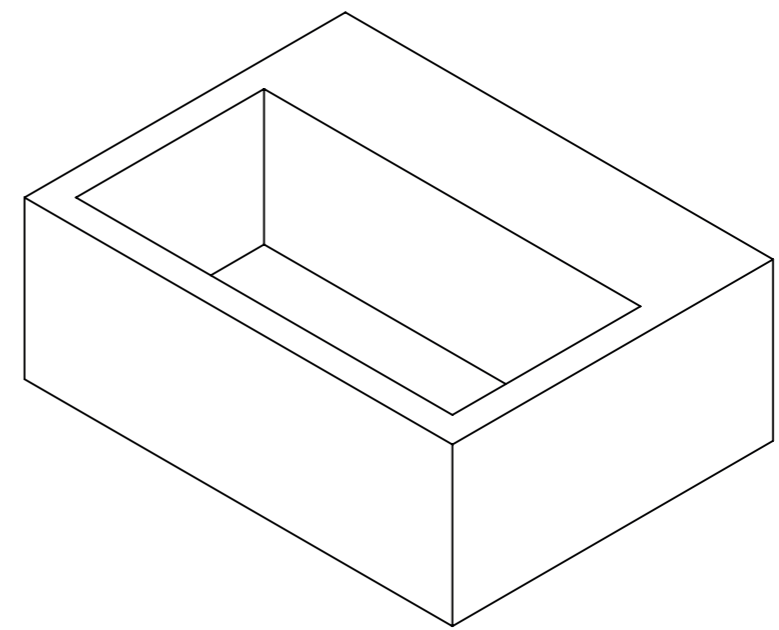
8 7 6 5 4 3 2 1

F

F

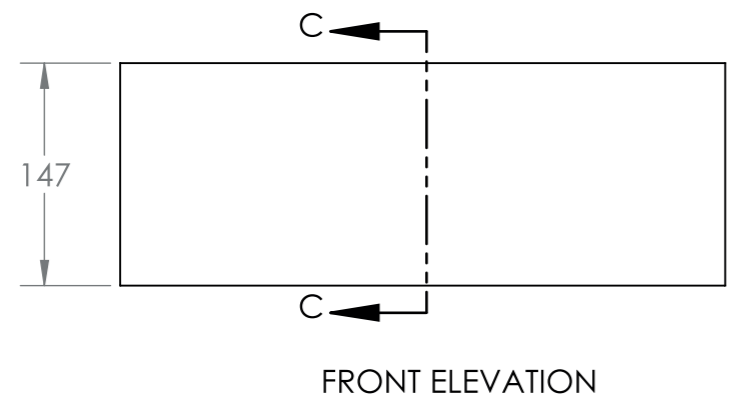


TOP ELEVATION

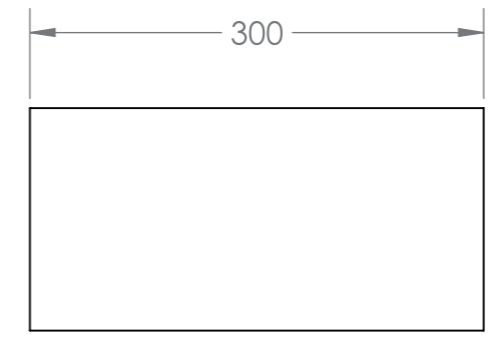


E

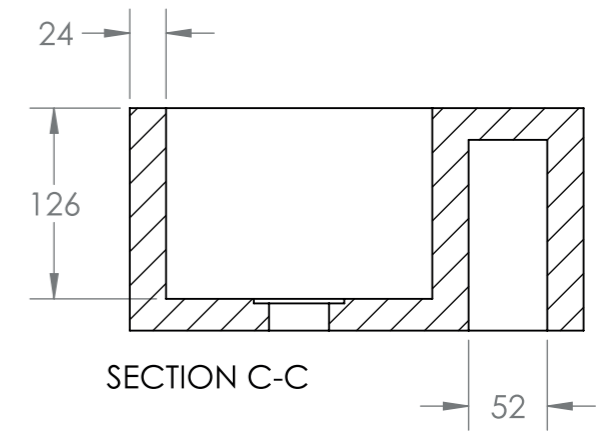
D



FRONT ELEVATION



SIDE ELEVATION



SECTION C-C

C

B



| | | | | | | | | | | | |
|---|------|-----------|---------|--|------------------------------------|--|--|--|--------------|--|--|
| UNLESS OTHERWISE SPECIFIED: DIMENSIONS ARE IN MILLIMETERS SURFACE FINISH: TOLERANCES: LINEAR: ANGULAR: | | | FINISH: | | DEBURR AND BREAK SHARP EDGES | | DO NOT SCALE DRAWING | | REVISION | | |
| DRAWN | NAME | SIGNATURE | DATE | | | | TITLE: | | | | |
| CHK'D | | | | | | | DWG NO. LEDGE BASIN A3 | | | | |
| APPV'D | | | | | | | | | | | |
| MFG | | | | | | | | | | | |
| Q.A | | | | | | | | | | | |
| | | | | | MATERIAL: | | SCALE: 1:5 | | SHEET 3 OF 4 | | |
| | | | | | WEIGHT: | | | | | | |

8 7 6 5 4 3 2 1

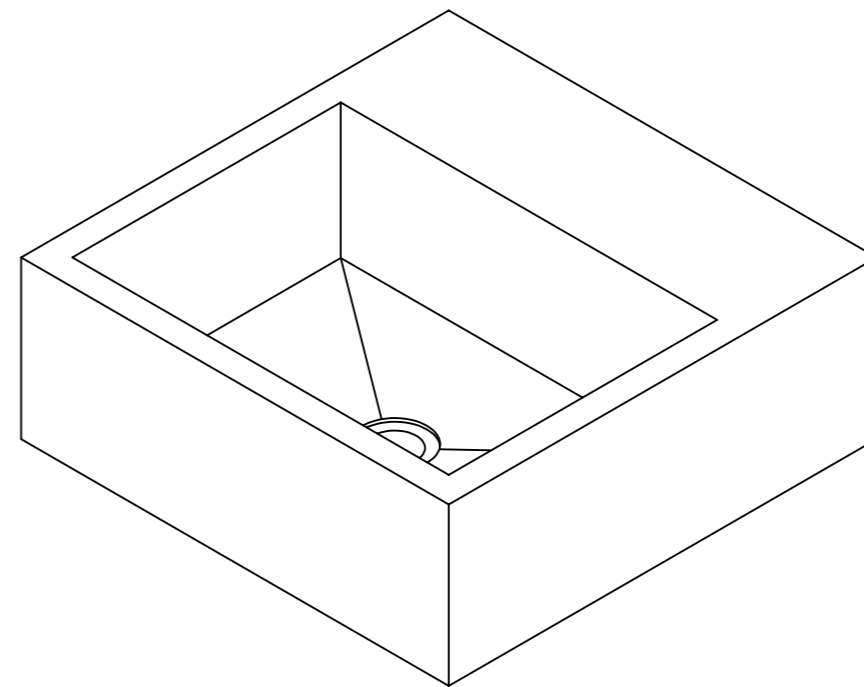
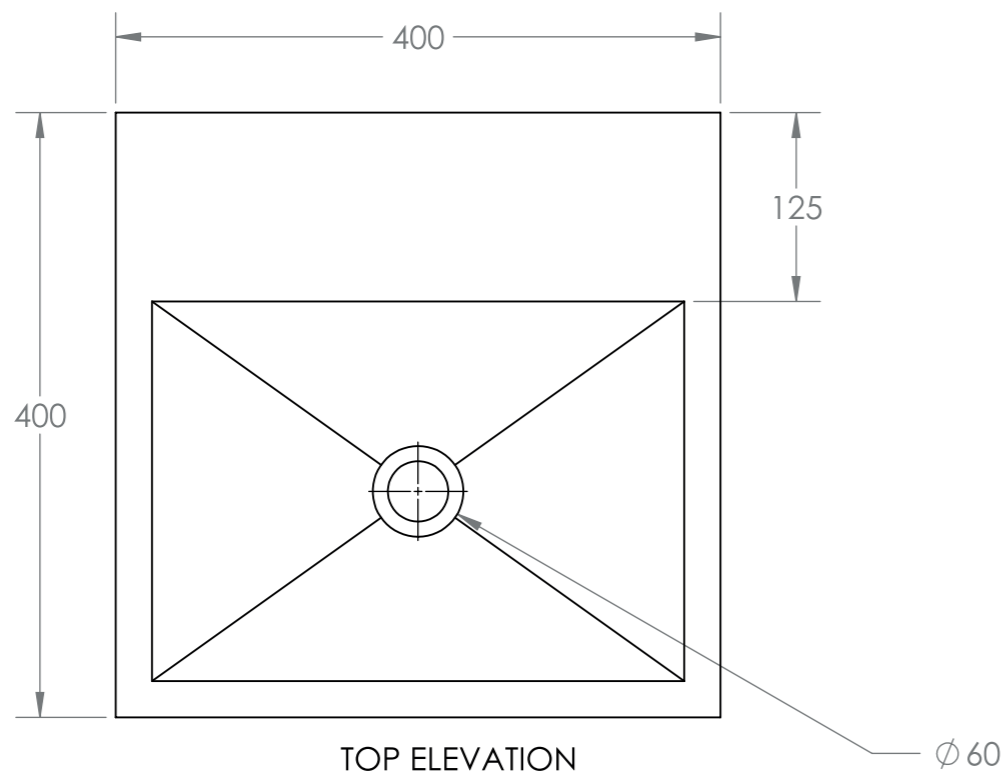
A

A

8 7 6 5 4 3 2 1

F

F

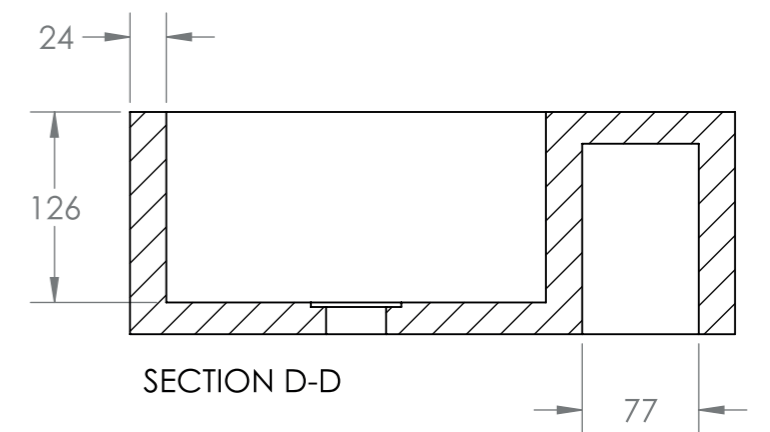
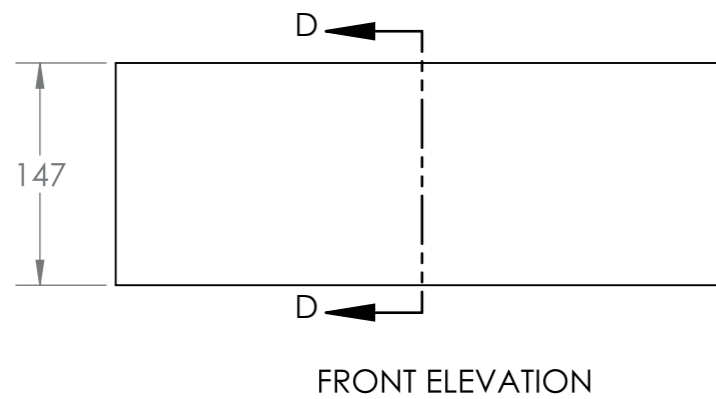


E

D

E

D



C

B

C

B



| | | | | | | | | | | | |
|---|--|--|---------|--|------------------------------------|--|----------------------|--|--------------|--|--|
| UNLESS OTHERWISE SPECIFIED: DIMENSIONS ARE IN MILLIMETERS SURFACE FINISH: TOLERANCES: LINEAR: ANGULAR: | | | FINISH: | | DEBURR AND BREAK SHARP EDGES | | DO NOT SCALE DRAWING | | REVISION | | |
| DRAWN | | | NAME | | SIGNATURE | | DATE | | TITLE: | | |
| CHK'D | | | | | | | | | | | |
| APPV'D | | | | | | | | | | | |
| MFG | | | | | | | | | | | |
| Q.A | | | | | | | MATERIAL: | | DWG NO. | | |
| | | | | | | | | | LEDGE BASIN | | |
| | | | | | | | WEIGHT: | | SCALE:1:5 | | |
| | | | | | | | | | SHEET 4 OF 4 | | |
| | | | | | | | | | A3 | | |

8 7 6 5 4 3 2 1

A

A