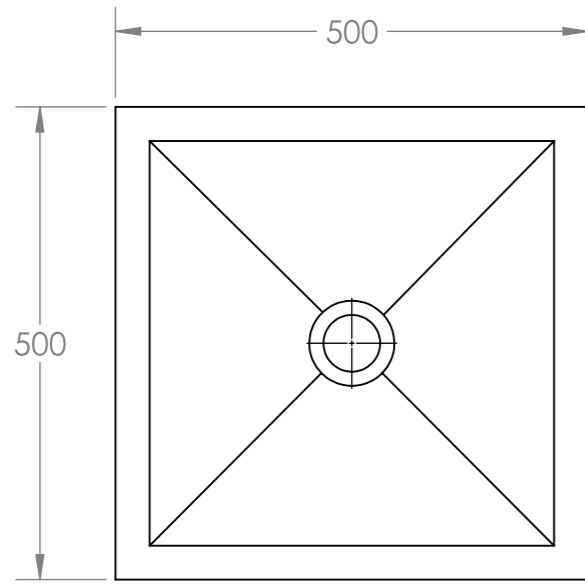
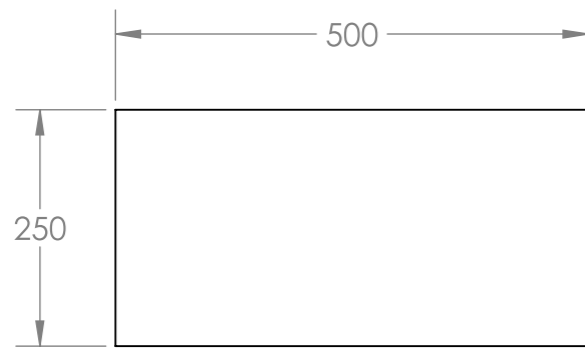
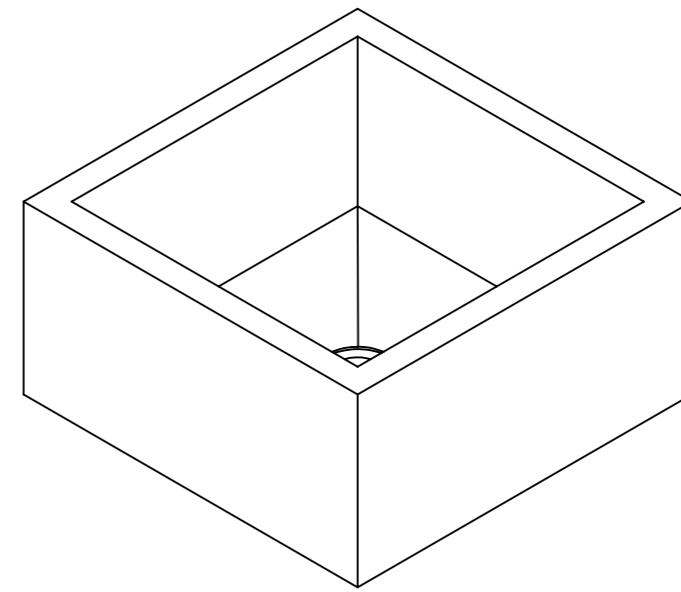


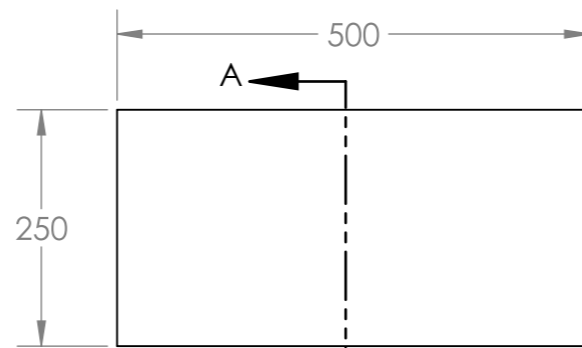
8 7 6 5 4 3 2 1



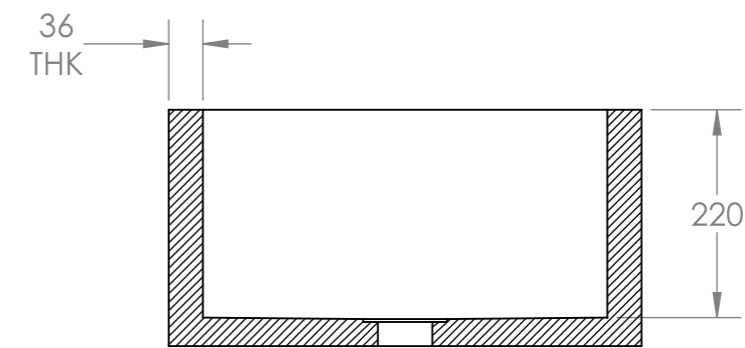
TOP ELEVATION



SIDE ELEVATION



FRONT ELEVATION



SECTION A-A

THE
Poured
PROJECT

UNLESS OTHERWISE SPECIFIED: DIMENSIONS ARE IN MILLIMETERS SURFACE FINISH: TOLERANCES: LINEAR: ANGULAR:			FINISH:		DEBURR AND BREAK SHARP EDGES		DO NOT SCALE DRAWING		REVISION		
DRAWN			NAME		SIGNATURE		DATE		TITLE:		
CHK'D											
APPV'D											
MFG											
Q.A							MATERIAL:		DWG NO.		
									KITCHEN SINK CUBE		
							WEIGHT:		SCALE:1:8		
									SHEET 1 OF 1		
									A3		

8 7 6 5 4 3 2 1

F
E
D
C
B
A

F
E
D
C
B
A