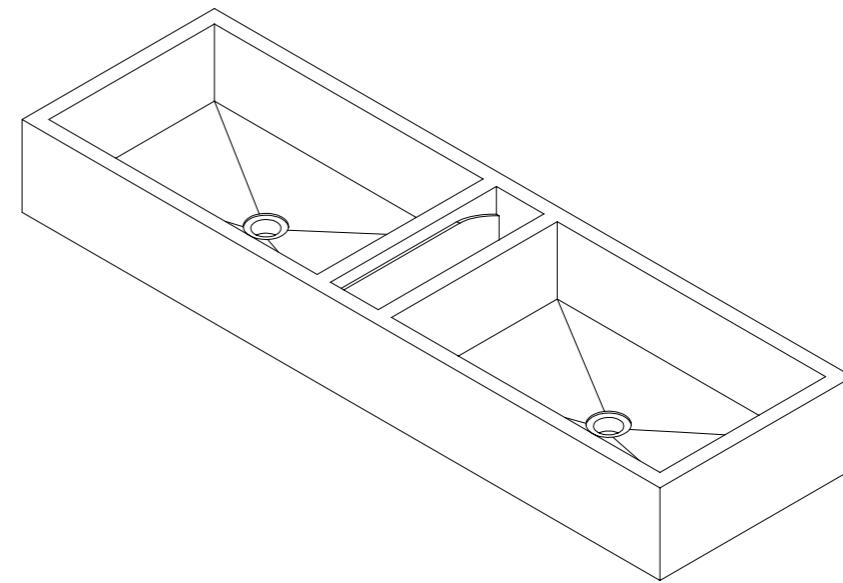
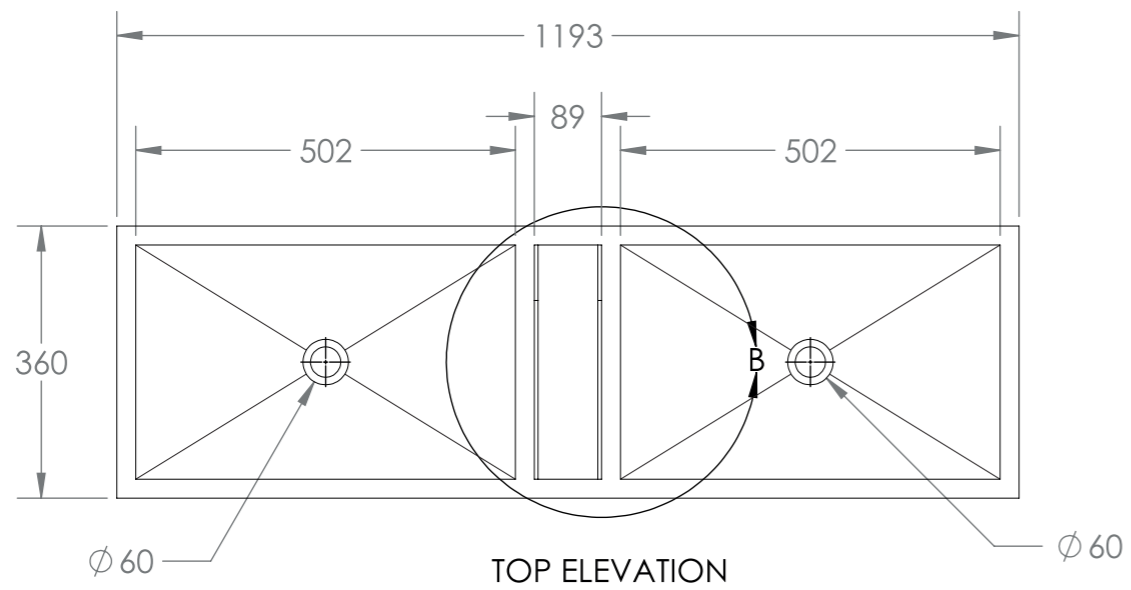


8 7 6 5 4 3 2 1

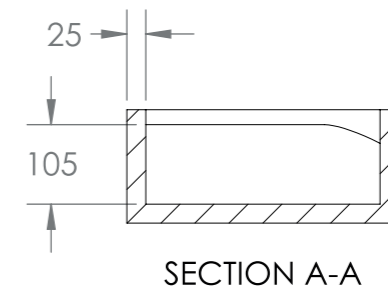
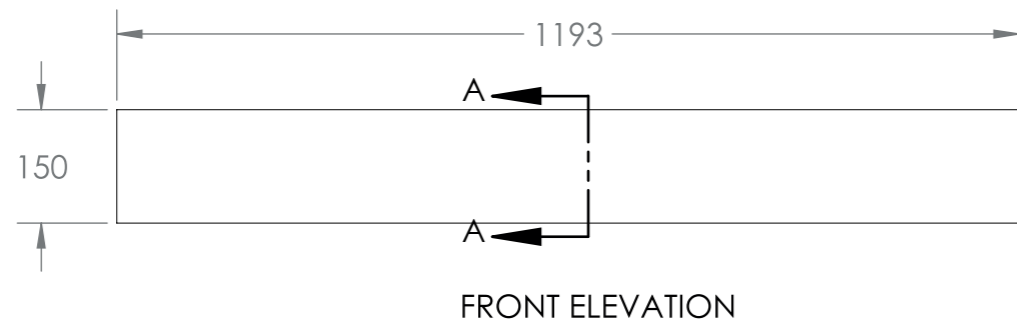
F

F



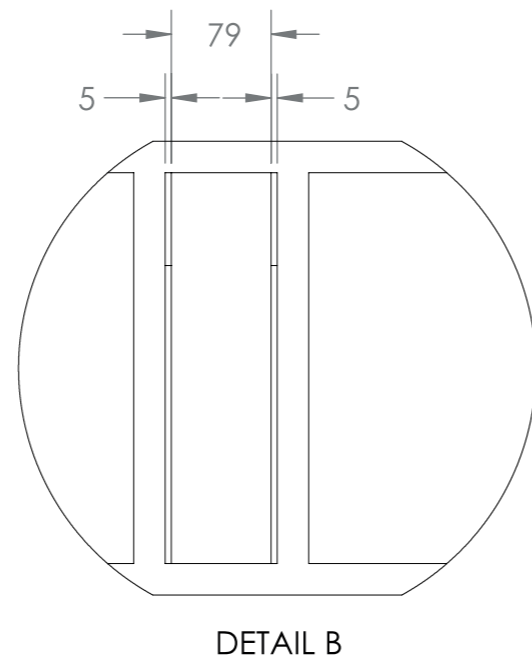
D

D



C

C



THE  
**Poured**  
PROJECT

UNLESS OTHERWISE SPECIFIED: DIMENSIONS ARE IN MILLIMETERS SURFACE FINISH: TOLERANCES: LINEAR: ANGULAR:			FINISH:		DEBURR AND BREAK SHARP EDGES		DO NOT SCALE DRAWING		REVISION		
DRAWN			NAME		SIGNATURE		DATE		TITLE:		
CHK'D											
APPV'D											
MFG											
Q.A							MATERIAL:		DWG NO.		
									MAIN BODY		
							WEIGHT:		SCALE:1:10		
									SHEET 1 OF 2		
									A3		

A

A

8 7 6 5 4 3 2 1

8 7 6 5 4 3 2 1

F

F

E

E

D

D

C

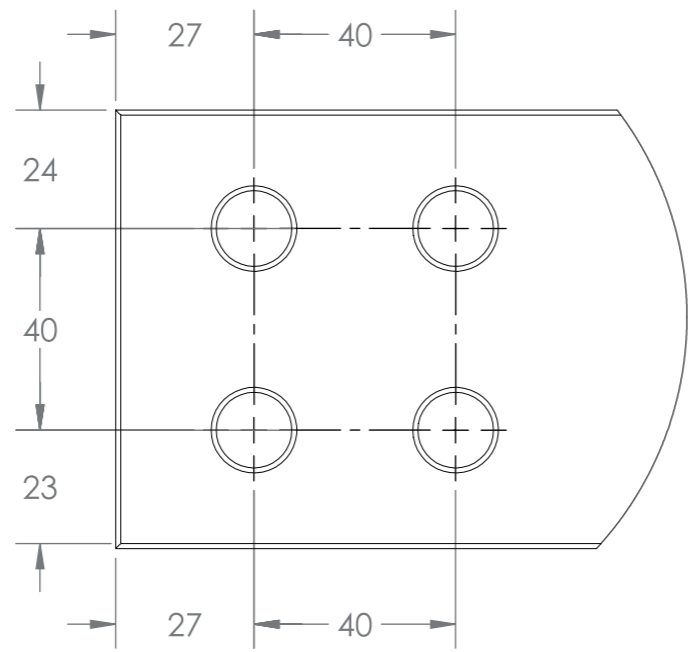
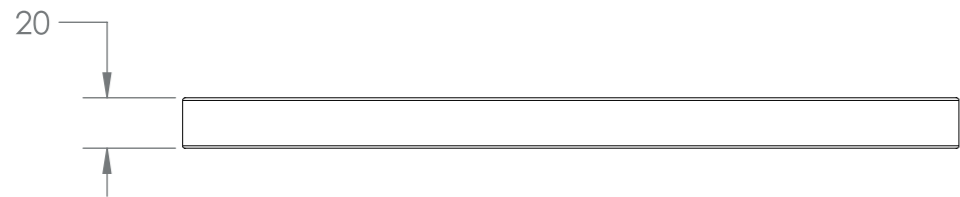
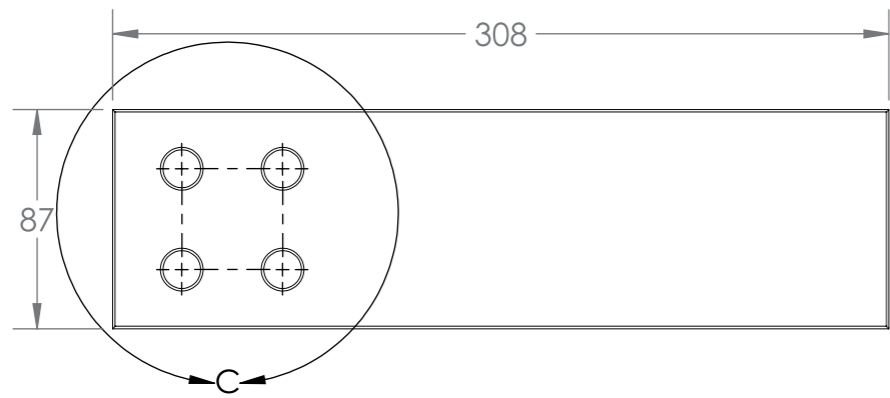
C

B

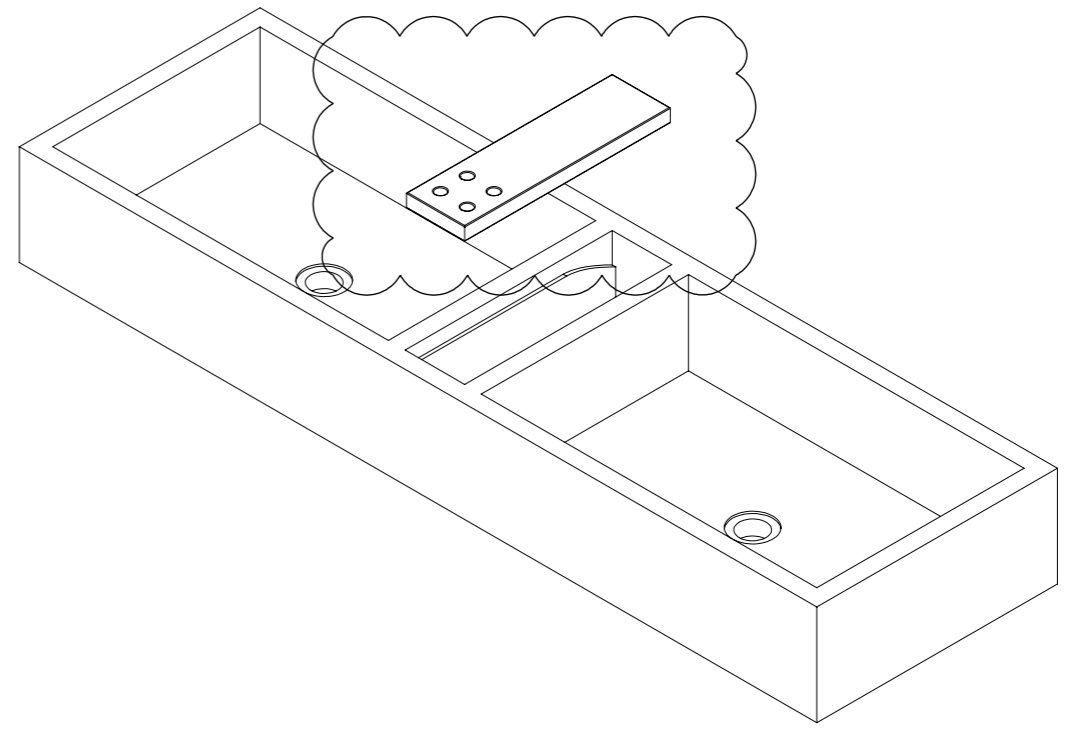
B

A

A



DETAIL C  
SCALE 2 : 3



THE  
**Poured**  
PROJECT

UNLESS OTHERWISE SPECIFIED: DIMENSIONS ARE IN MILLIMETERS SURFACE FINISH: TOLERANCES: LINEAR: ANGULAR:			FINISH:		DEBURR AND BREAK SHARP EDGES		DO NOT SCALE DRAWING		REVISION		
DRAWN			NAME		SIGNATURE		DATE		TITLE:		
CHK'D											
APPV'D											
MFG											
Q.A							MATERIAL:		DWG NO.		
									A3		
							WEIGHT:		SCALE:1:10		
									SHEET 2 OF 2		
									DUPLEX BASIN		

8 7 6 5 4 3 2 1